

NRSM Series

Wire Wound SMD Power Inductor Size 201610



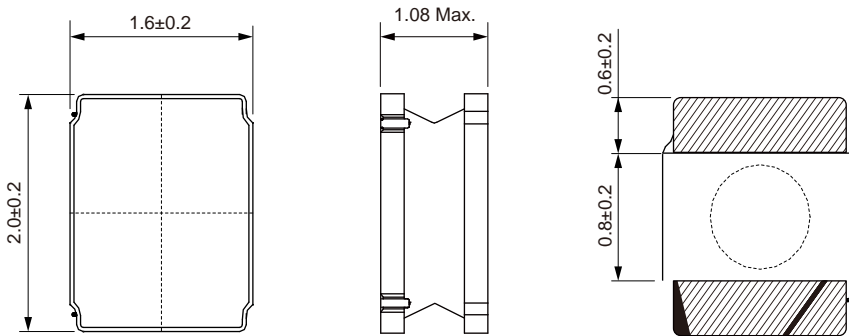
FEATUERS

-
-
-

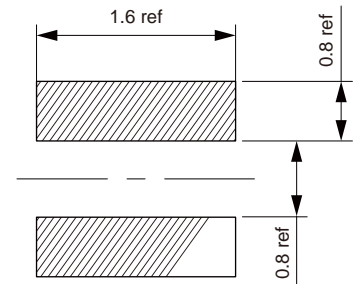
APPLICATION

-
-

Dimensions: [mm]



Land Pattern: [mm]



Electrical Properties:

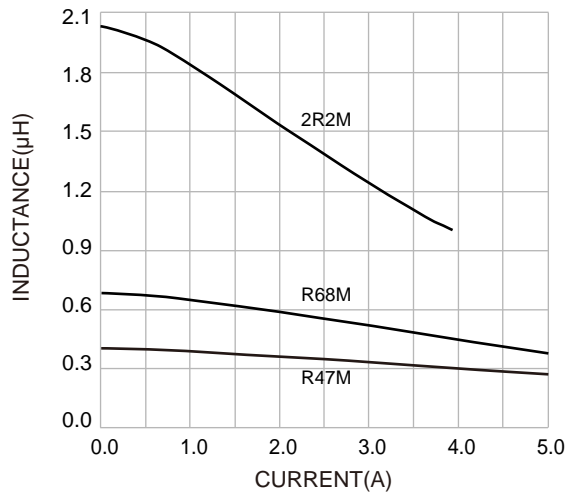
Part No.	Inductance (μH)	Inductance Tolerance	DC Resistance (mΩ)	DC Resistance Tolerance	Initial Saturation Current (A)	Final Saturation Current (A)	Initial Inductance at Saturation (%)	Final Inductance at Saturation (%)
NRSM201610S-R24M	0.24	±20%	3.45	3.00	5.50	4.50	0.033	0.040
NRSM201610S-R33M	0.33	±20%	3.10	2.70	5.20	4.40	0.041	0.049
NRSM201610S-R47M	0.47	±20%	3.10	2.70	4.70	4.06	0.041	0.049
NRSM201610S-R56M	0.56	±20%	2.80	2.60	4.50	3.80	0.043	0.053
NRSM201610S-R68M	0.68	±20%	2.80	2.50	4.00	3.50	0.057	0.065
NRSM201610S-1R0M	1.00	±20%	2.30	2.00	3.80	3.30	0.078	0.095
NRSM201610S-1R5M	1.50	±20%	2.00	1.70	2.30	1.95	0.110	0.130
NRSM201610S-2R2M	2.20	±20%	1.60	1.40	2.15	1.90	0.160	0.180
NRSM201610S-3R3M	3.30	±20%	1.30	1.10	1.60	1.40	0.245	0.307
NRSM201610S-4R7M	4.70	±20%	1.00	0.90	1.40	1.10	0.370	0.425
NRSM201610S-6R8M	6.80	±20%	0.82	0.70	1.10	0.95	0.500	0.620
NRSM201610S-8R2M	8.20	±20%	0.76	0.66	1.00	0.86	0.670	0.870
NRSM201610S-100M	10.0	±20%	0.70	0.60	0.95	0.80	0.700	0.875
NRSM201610S-150M	15.0	±20%	0.42	0.36	0.75	0.69	1.300	1.700

Saturation Current that will cause initial inductance to drop approximately 30%

Temperature Rise Current: For max value, T<40 °C; For Typ value, T is approximate 40 °C.

Typical Electrical Characteristics:

Inductance VS. Current Characteristics:



Temperature Rise VS. Current Characteristics:

